

## Operation: SMT



LTEM NO.:DC-031A  
(DC-POWER-SOCKETS)



### Technical parameter

表面貼裝 SMT

PROJECT	LEVEL	A[better product]	B[average product]
	Contact Rating	25mA, 24V DC	
Electrical Properties	Initial Contact Resistance	30mΩ max.	50mΩ max.
	Insulation Resistance	100MΩ min.500V DC	Skey/PD: 100MΩ min.300V DC
	Withstand Voltage	500V AC for 1 minute	350 V AC for 1 minut
Durable Performance	There No Load	6,000 Cycles	5,000 Cycles
	Rated Load	5,000 Cycles	4,000 Cycles
	Storage temp.	-25℃~+75℃(Operating Temp: )	

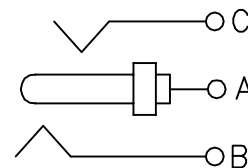
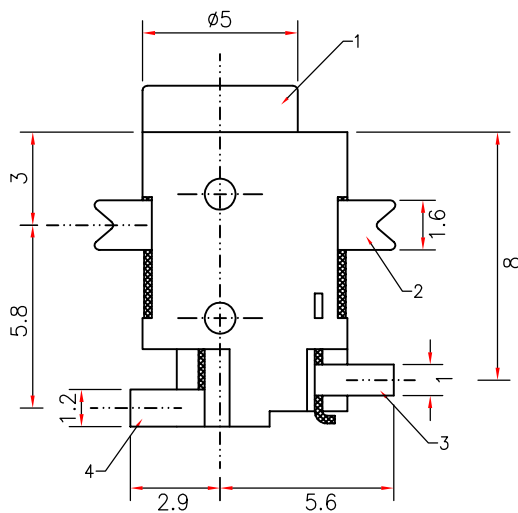
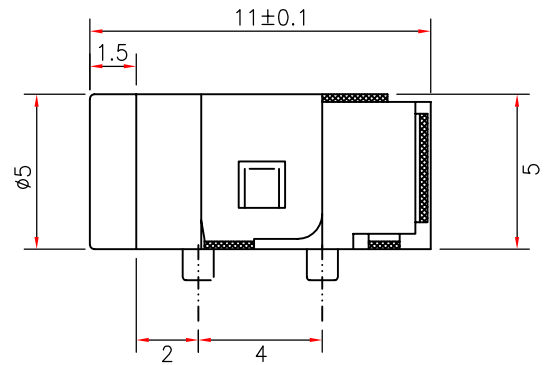
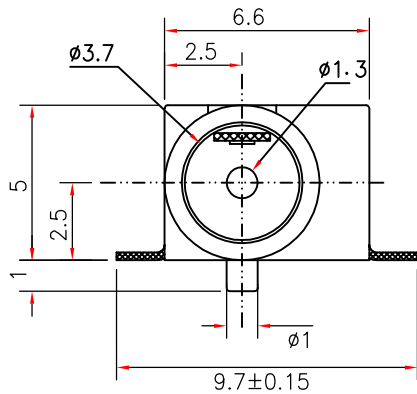
正向導入 LATERAL

精密部品 NICETY

可靠 STABILIZE

適合環保 RoHS

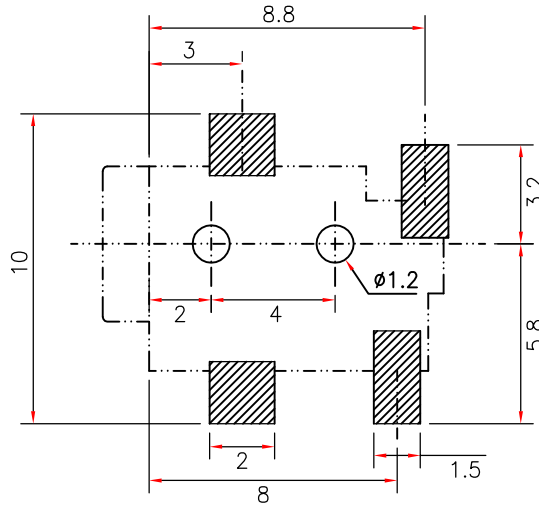
Unit:mm



Operating Force

Inward  
Exiting

5. 0N (100grams) ± 100gf  
5. 5N (100grams) ± 100gf



Pin Definition



Material declaration

No.	NAME	Type	Description
① A	基座	1	PA6T (Black)热塑性塑料
② B	上盖	1	C5191R-H (t=0.20mm)磷铜[镀银]
③ C	动态端子	1	C5191R-H (t=0.20mm)磷铜[镀银]
④ D	芯针	1	H62 黄铜棒(Qsn6.5-01 镀银)



本品不屬於危害性廢棄物,須丟棄時可以委託回收商予以回收再生處理。  
Products do not belong to •

注記 NOTICE

1. 碩方公司擁有最終解釋權; The company reserves the right of final interpretation;
2. 文件禁止外洩、轉載; Leaked and reproduced prohibited;
3. 未經授權修改無效。Modify is invalid.

運送時本產品不要直接與水、酸鹼性化學物質接觸,或放置於含有以上氣體環境中,並且需要注意會有滑落、側翻的危險發生; 運輸過程中不能有碰撞或者擠壓,須保證溫度與濕度適中 [常溫 25℃,濕度在 50℃以內],不可導致材料變形或氧化。